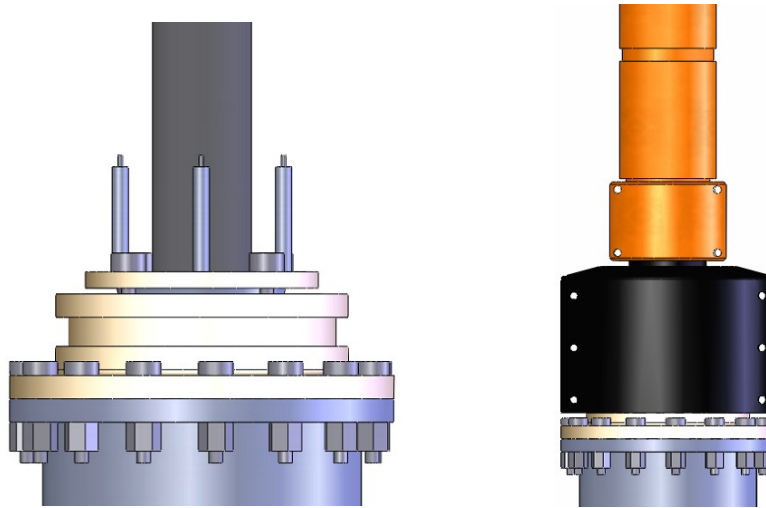




## Hang-off Head

An innovative, configurable component for offshore cable systems.



### Modular Cable Pull-in Termination Technology

The scalable design allows adaptation to most cable types and to most cable installation protection requirements.

Strategic, cost-effective project-oriented features;

- ✓ Designed for adaptability (technology platform)
- ✓ Designed for procurement (short-time delivery)
- ✓ Designed for field-integration (responsive cycle-time)

A corrosion resistant, split-design cable armor termination system for connection of single & multi-tube, composite cable elements including power core, coaxial, optical fiber, and mechanical tube/hose.

MODIFICATION RIGHTS RESERVED. Information is subject to change without notice.